

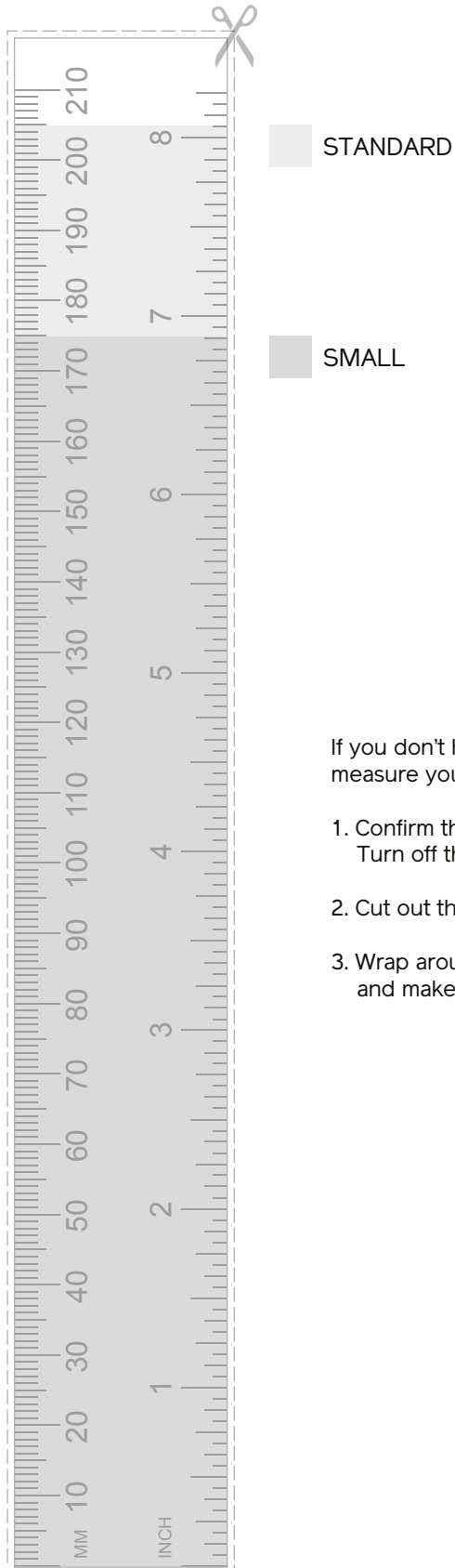
VECTOR

Strap Size Guides

CONTENT

- 3 FIT DIMENSION RULE
- 4 BROWN LEATHER & TAN LEATHER STRAP
SMALL FIT
- 5 BROWN LEATHER & TAN LEATHER STRAP
- 6 BLACK LEATHER STRAP
SMALL FIT
- 7 BLACK LEATHER STRAP
- 8 STEEL & BLACK STEEL BRACELET
- 9 BLACK CROCO STRAP
SMALL FIT
- 10 BLACK CROCO STRAP
- 11 ROSE GOLD BRACELET
- 12 SILICON STRAP
- 13 VECTOR SMART WATCH STRAPS
ADJUSTING GUIDEADJUSTING YOUR BUTTERFLY CLOSURE
- 14 VECTOR SMART WATCH STRAP
ADJUSTING LENGTH OF BRACELET

VECTOR SMART WATCH WRIST MEASURING TOOL

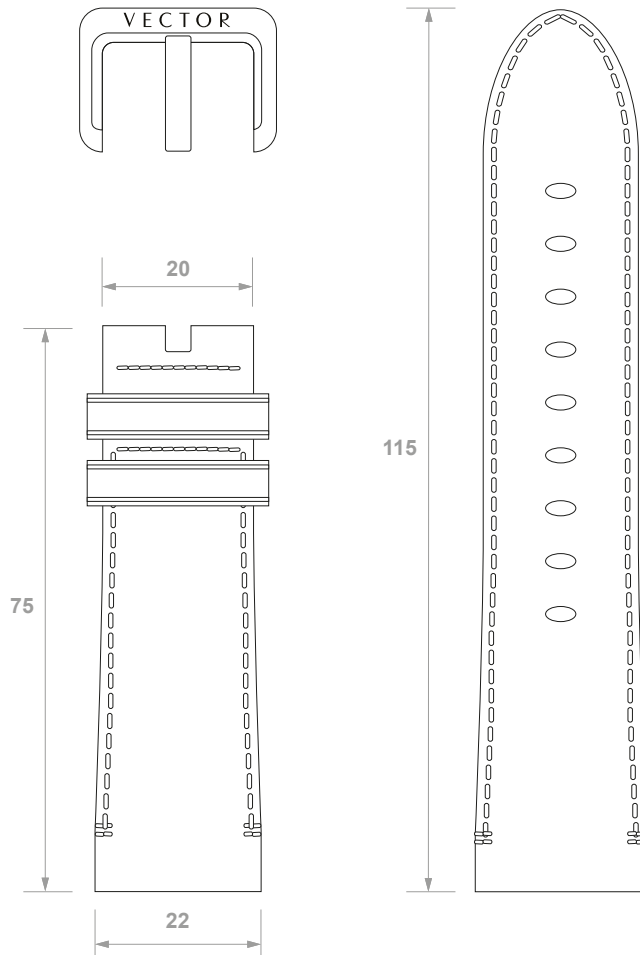


If you don't have a ribbon tape, you can print this simple tool in order to measure your wrist.

1. Confirm that your printer is set to print this page at 100% (actual size). Turn off the 'Scale to Fit' option.
2. Cut out the measuring tool.
3. Wrap around the same wrist and position that you like to wear a watch and make a note of the dimension.

BROWN LEATHER & TAN LEATHER STRAP SMALL FIT

TAPERED WIDTH 22-20MM
MAXIMUM WRIST FIT DIMENSION 180 MM



FOR STYLES:

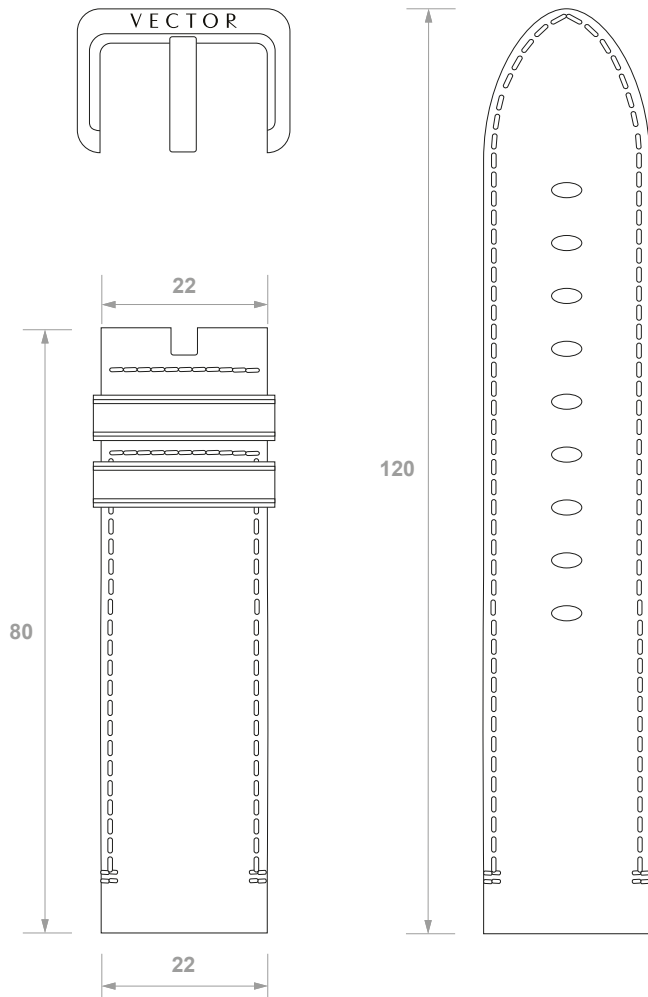
L1-10-004
VECTOR LUNA SMART WATCH
BRUSHED BLACK WITH
BROWN LEATHER STRAP/SMALL FIT

L1-10-008
VECTOR LUNA SMART WATCH
STEEL WITH
TAN LEATHER STRAP/SMALL FIT

M1-20-002
VECTOR MERIDIAN SMART WATCH
BRUSHED BLACK WITH
BROWN LEATHER STRAP/SMALL FIT

BROWN LEATHER & TAN LEATHER STRAP

STRAIGHT WIDTH 22MM
MAXIMUM WRIST FIT DIMENSION 190 MM



FOR STYLES:

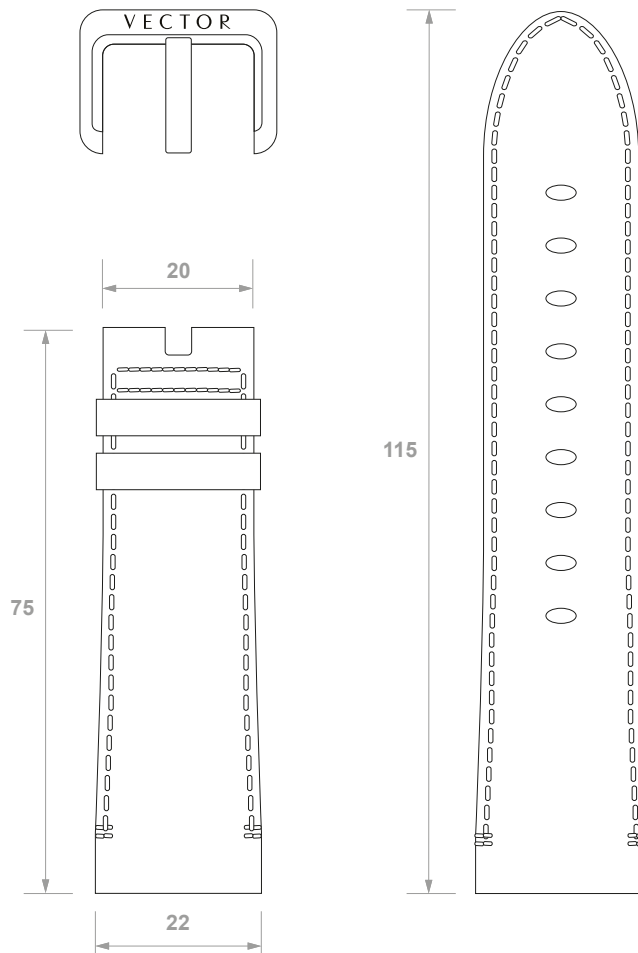
L1-10-005
VECTOR LUNA SMART WATCH
BRUSHED BLACK WITH
BROWN LEATHER STRAP

L1-10-009
VECTOR LUNA SMART WATCH
STEEL WITH
TAN LEATHER STRAP

M1-20-003
VECTOR MERIDIAN SMART WATCH
BRUSHED BLACK WITH
BROWN LEATHER STRAP

BLACK LEATHER STRAP SMALL FIT

TAPERED WIDTH 22-20MM
MAXIMUM WRIST FIT DIMENSION 185 MM



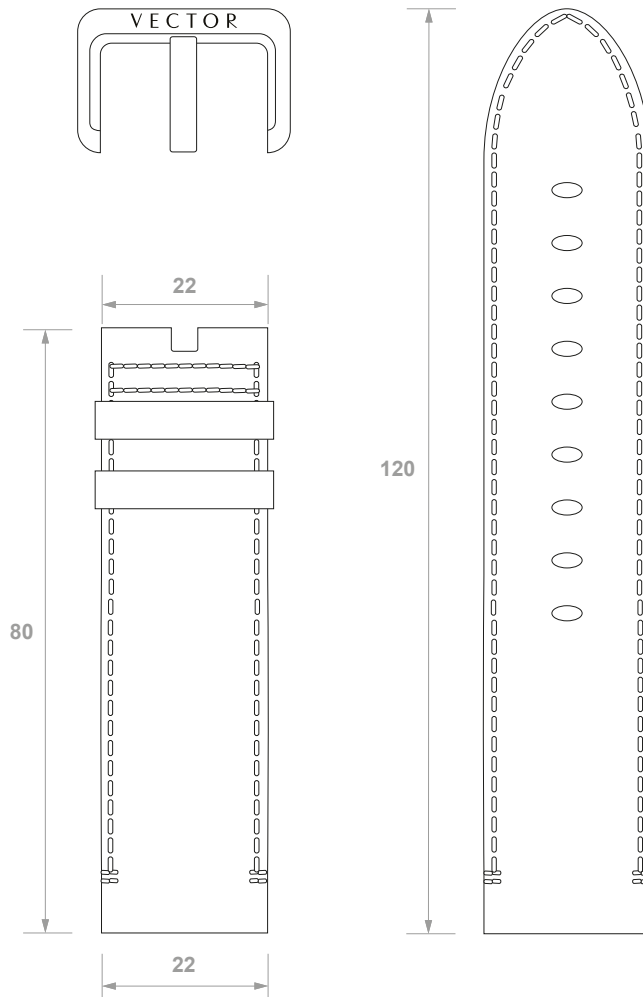
FOR STYLES:

L1-10-015
VECTOR LUNA SMART WATCH
STEEL WITH
BLACK LEATHER STRAP/SMALL FIT

M1-20-004
VECTOR MERIDIAN SMART WATCH
STEEL WITH
BLACK LEATHER STRAP/SMALL FIT

BLACK LEATHER STRAP

STRAIGHT WIDTH 22MM
MAXIMUM WRIST FIT DIMENSION 195 MM



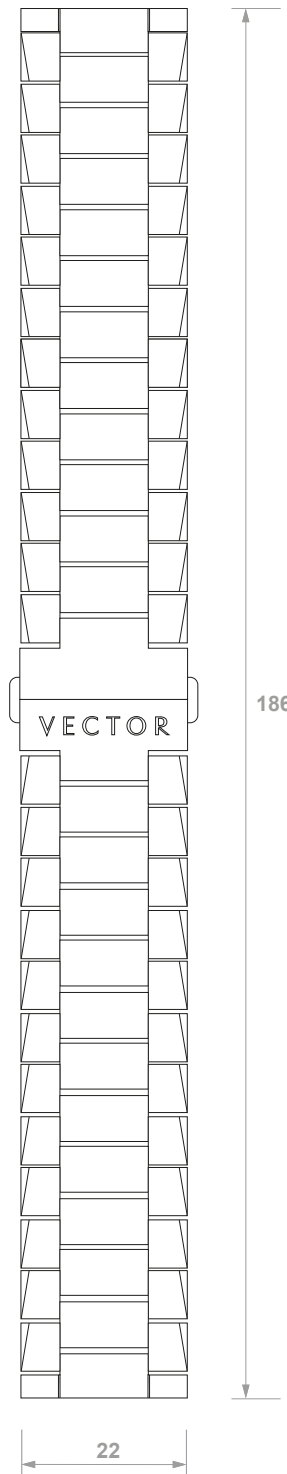
FOR STYLES:

L1-10-016
VECTOR LUNA SMART WATCH
STEEL WITH
BLACK LEATHER STRAP

M1-20-005
VECTOR MERIDIAN SMART WATCH
STEEL WITH
BLACK LEATHER STRAP

STEEL & BLACK STEEL BRACELET

STRAIGHT WIDTH 22MM
MAXIMUM WRIST FIT DIMENSION 218 MM



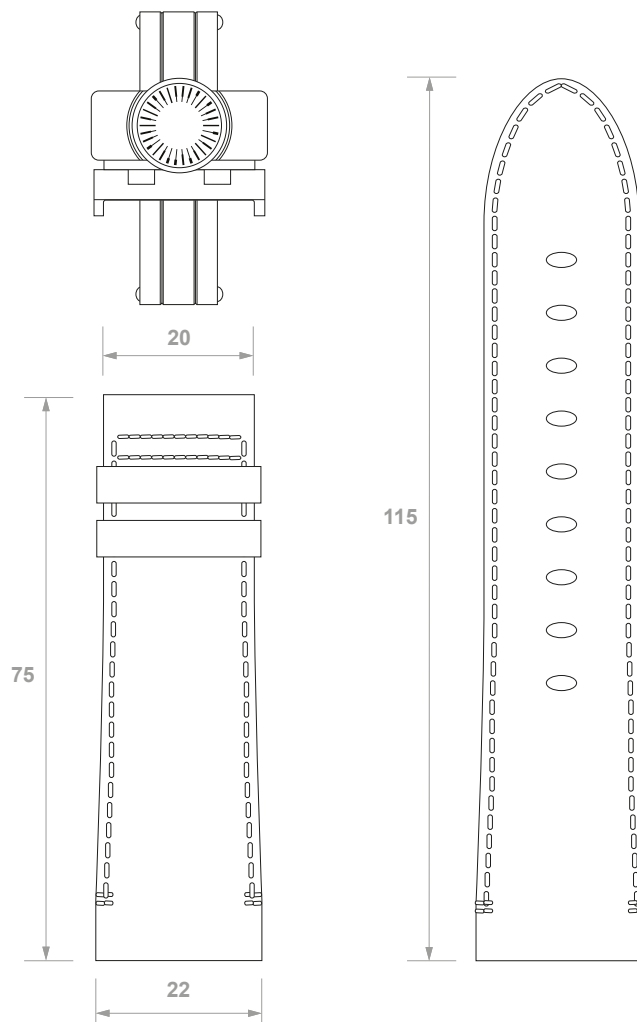
FOR STYLES:

L1-10-006
VECTOR LUNA SMART WATCH
BRUSHED BLACK WITH
BLACK STEEL BRACELET

L1-10-007
VECTOR LUNA SMART WATCH
STEEL WITH STEEL BRACELET

BLACK CROCO STRAP SMALL FIT

TAPERED WIDTH 22-20MM
MAXIMUM WRIST FIT DIMENSION 185 MM



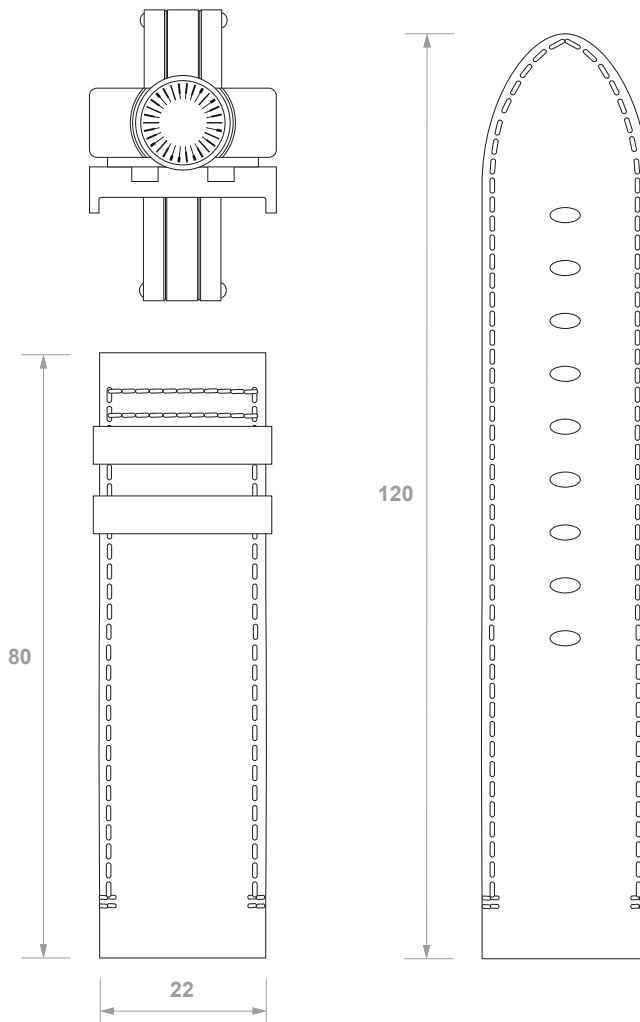
FOR STYLES:

L1-10-010
VECTOR LUNA SMART WATCH
ROSE GOLD WITH
BLACK CROCO STRAP/SMALL FIT

L1-10-012
VECTOR LUNA SMART WATCH
CHAMPAGNE GOLD WITH
BLACK CROCO STRAP/SMALL FIT

BLACK CROCO STRAP

STRAIGH WIDTH 22MM
MAXIMUM WRIST FIT DIMENSION 195 MM



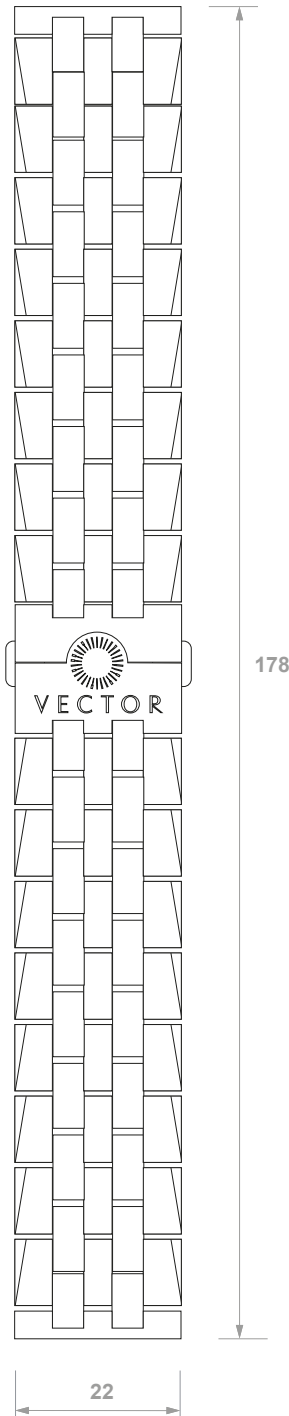
FOR STYLES:

L1-10-011
VECTOR LUNA SMART WATCH
ROSE GOLD WITH
BLACK CROCO STRAP

L1-10-013
VECTOR LUNA SMART WATCH
CHAMPAGNE GOLD WITH
BLACK CROCO STRAP

ROSE GOLD BRACELET

STRAIGH WIDTH 22MM
MAXIMUM WRIST FIT DIMENSION 210 MM

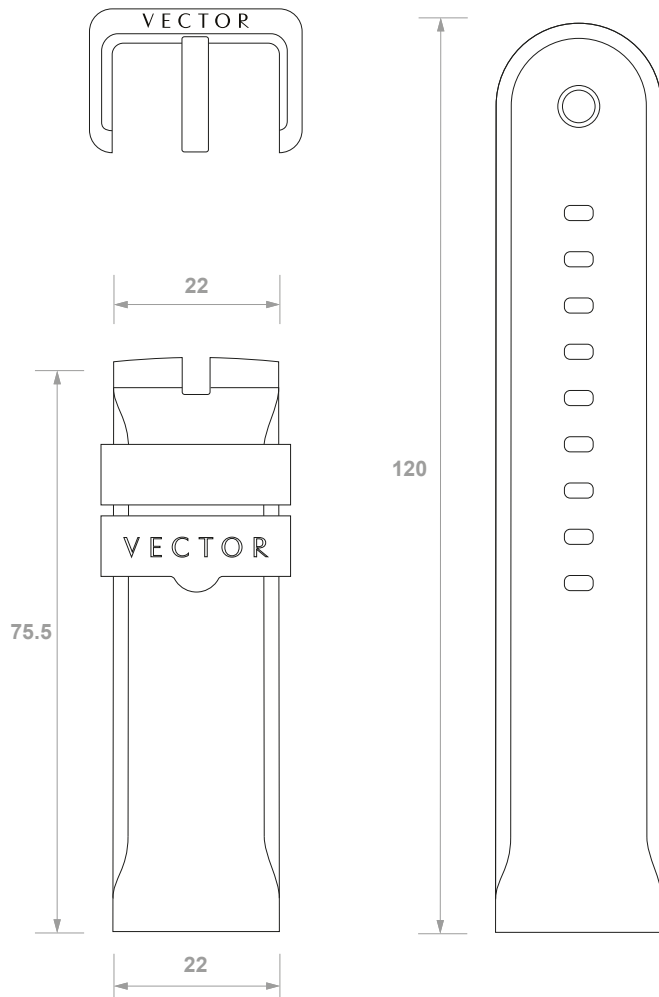


FOR STYLES:

L1-10-014
VECTOR LUNA SMART WATCH
ROSE GOLD WITH
ROSE GOLD BRACELET

SILICONE STRAP

STRAIGH WIDTH 22MM
MAXIMUM WRIST FIT DIMENSION 200 MM



FOR STYLES:

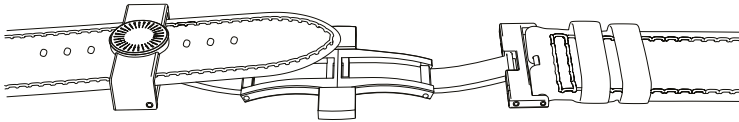
L1-10-003
VECTOR LUNA SMART WATCH
FLAT BLACK WITH
BLACK SILICONE STRAP

M1-20-006
VECTOR MERIDIAN SMART WATCH
FLAT BLACK WITH
BLACK SILICONE STRAP

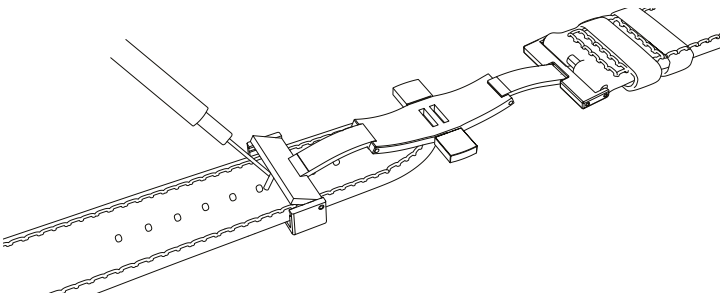
VECTOR SMART WATCH STRAPS

ADJUSTING YOUR BUTTERFLY CLOSURE

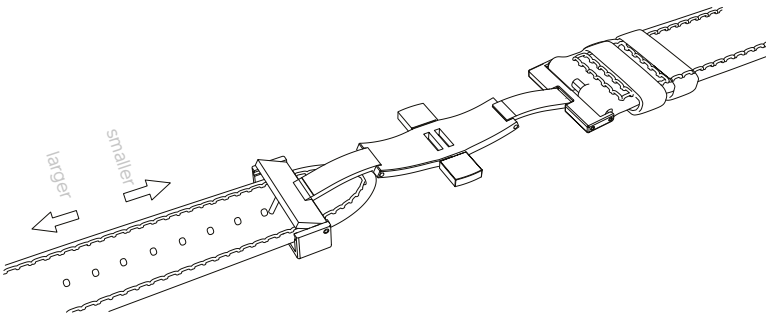
LEATHER STRAPS



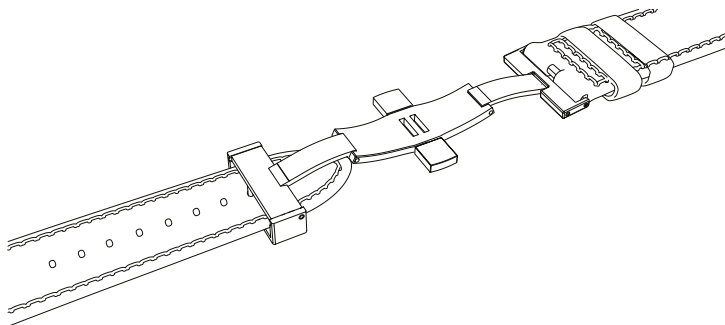
1. Open up your clasp and place face down on the table surface, being careful not to scratch your watch face.



2. Using a small screw driver, gently pop open the plate on the long "holed" strap so that the strap can move freely through the clasp.



3. When open, move the strap in or out until you find the desired hole for your fit.



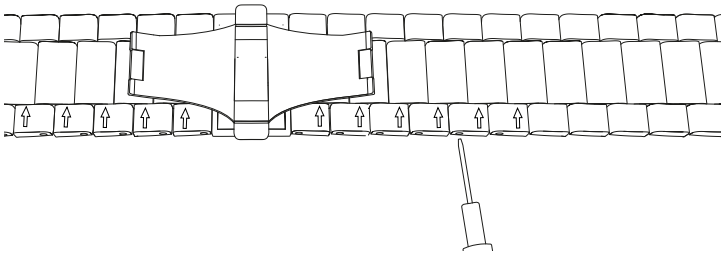
4. Lock the plate back in place by simply pushing it back down with your finger, making sure that the pin goes into a strap hole.

*This action may take a couple of times till you find your optimum fit.

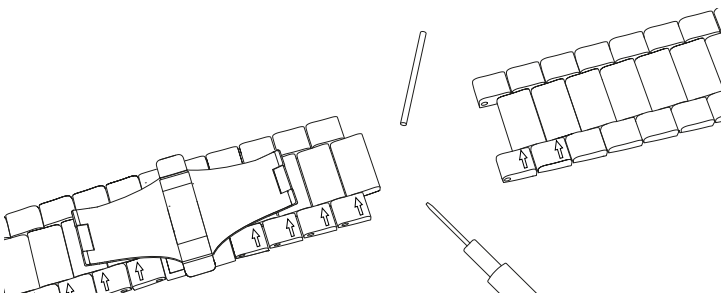
VECTOR SMART WATCH STRAPS

ADJUSTING LENGTH OF BRACELET

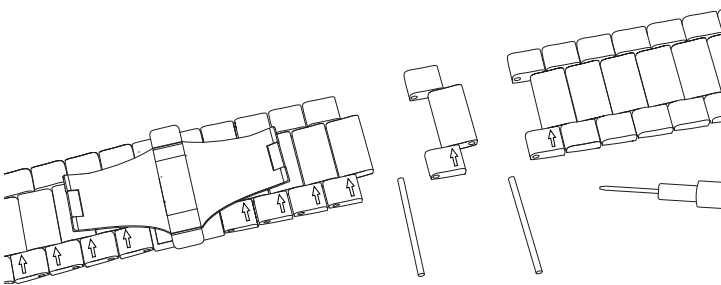
METAL BRACELET



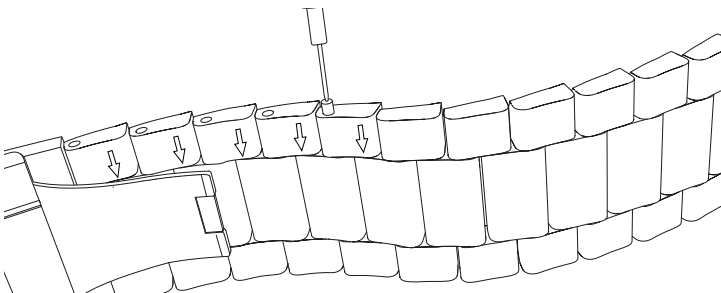
1. Place the watch down on a flat surface with the arrows pointing away from you, being careful not to scratch your watch lens. Align the pin hole on the side of the bracelet with the end of the strap. Apply gentle pressure to start pushing the pin out.



2. Once the pin is pushed as far out as it will go, pull the pin out completely with your fingers or a pair of tweezers.



3. After the pin is removed, the link will come apart. Repeat this procedure for as many links it is required.



4. Reassembly the links to the bracelet. First connect the links together then reinsert the connecting pin into connected link. Be sure to insert the pin small end first, in the opposite direction of the arrows.

After pin is inserted in the bracelet, use the end of a pair of tweezers to seat the pin in the bracelet. Be sure the end of the pin is pushed slightly below the edge of the bracelet.

*Alternatively, you can adjust your metal bracelet in a local watch repair shop or jeweller, for a small fee.